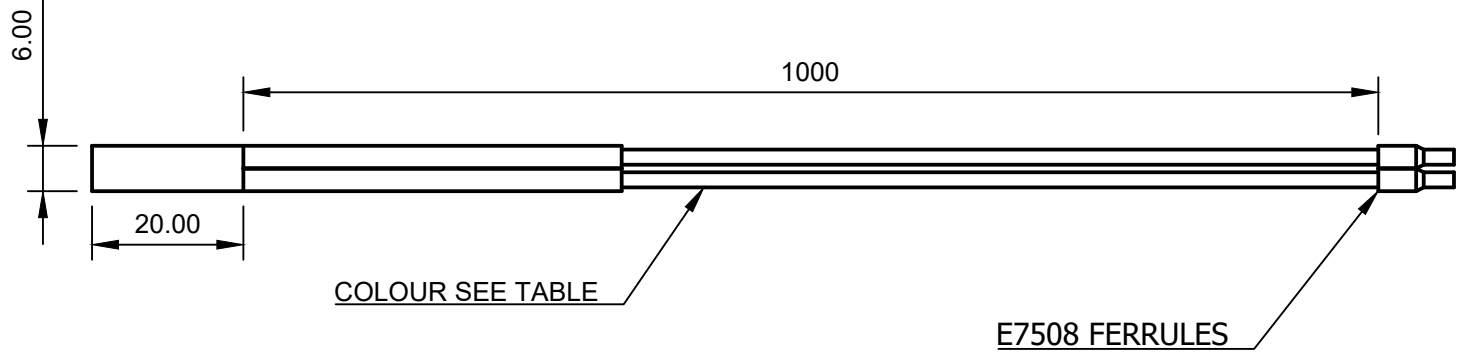


| REVISION | | | |
|----------|---------------|------------|----------|
| REV | DESCRIPTION | DATE | APPROVED |
| 5 | SPECS UPDATED | 18/06/2018 | ST |



| HEATER CARTRIDGE SPECS | | | | | |
|------------------------|-----------------|---------------|----------------|----------------|-------------|
| SKU | NOMINAL VOLTAGE | NOMINAL POWER | MIN RESISTANCE | MAX RESISTANCE | WIRE COLOUR |
| E-HEATER-12V-30W | 12V | 30W | 4.2 | 5.7 | BLUE |
| E-HEATER-12V-40W | 12V | 40W | 3.1 | 3.8 | RED |
| E-HEATER-24V-30W | 24V | 30W | 16.7 | 22.6 | YELLOW |
| E-HEATER-24V-40W | 24V | 40W | 12.3 | 15.1 | WHITE |

Copyright (C) E3D-Online Ltd (e3d-online.com)

These drawings are free hardware: you can redistribute it and/or modify it under the terms of the GNU General Public License as published by the Free Software Foundation, either version 3 of the License, or (at your option) any later version.

NOT TO SCALE

| | | | | | |
|----------------------|-----------------------------|--------------------------------|-----------------------------|-------------------|------------|
| Dept. Engineering | Technical reference | Created by ST | 18/06/2018 | Approved by RY | 18/06/2018 |
| | | Document type Production | Document status Approved | | |
| | | Title Heater Cartridges All | DWG No. E-HEATER ALL | | |
| Rev. 5 | Date of issue 18/06/2018 | Sheet 1/1 | | | |