



A Donaldson Company

A WORLD LEADER IN FUME EXTRACTION TECHNOLOGY

PrintPRO Universal

Last Updated on 13.04.2021



Fume extraction system for the print and print finishing industries.

BOFA's pioneering extractor, the PrintPRO Universal is designed exclusively for the print and print finishing industries. The PrintPRO Universal's unique features enable it to effectively capture and remove a wide range of solvents generated within these environments, including MEK, ketones and vapours from UV applications.

The PrintPRO Universal is easily adapted to a huge range of environments, including wide format printers, inkjet coding printers (CIJ) (both solvent and UV) and numerous mailroom applications such as UV coating, hot melt glue binding and mailwrap polywrapping.

Technology



HEPA filter



Advanced carbon filter (ACF) technology



Multi voltage sensing (MVS) unit



ProTECT service plan



SureCHECK quality standard

Key features of the PrintPRO Universal

VOC gas sensor (Volatile Organic Compound)
Standard

Extended life carbon for low cost of ownership
Standard

Low noise level
Standard

Compact size enables extraction unit to be positioned within the printer footprint
Standard

Powder coated for durability
Standard

Filter change indicator
Standard

Auto sensing voltage (90-257v) for global use
Standard

Specially treated carbon for safe containment of print fumes
Standard

Small footprint
Standard

Castors for portability
Standard

Digital speed control
Standard

24V remote stop / start interface via printing machine
Optional

Contact BOFA at <https://bofainternational.com/en/contact/>

<https://bofainternational.com/en/portal/datasheets/printpro-universal/>

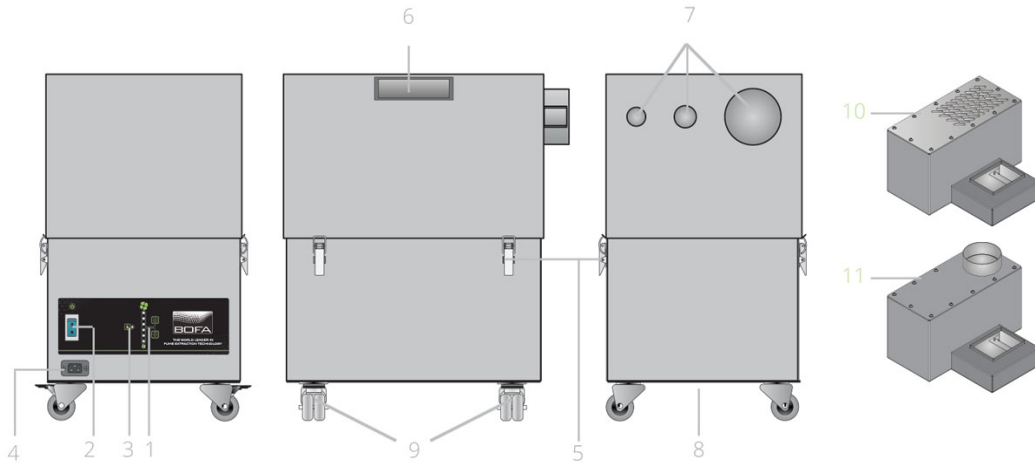


Filter change signal
Optional

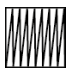



Quiet mode silencer box for office environments, with option to vent outside the building
Optional

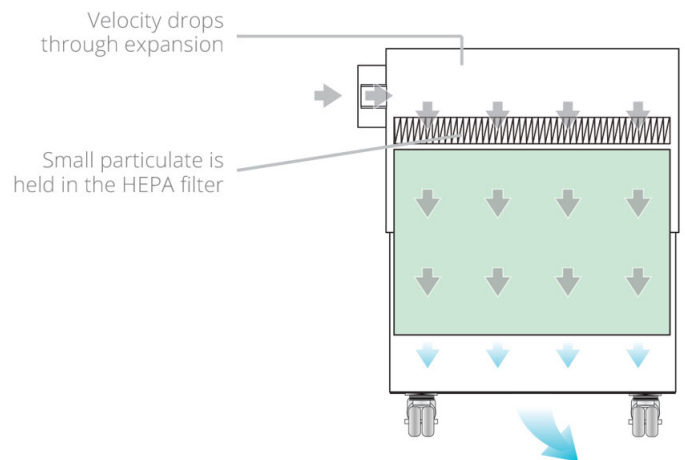
Technical specification

- 1. Digital speed control
- 2. On / off switch
- 3. Filter condition display
- 4. IEC power cable inlet
- 5. Lid fastening latches
- 6. Handles
- 7. Hose inlet connections - 32mm / 38mm / 100mm
- 8. Exhaust outlet
- 9. Castors
- 10. Optional silencer box with grille
- 11. Optional silencer box with spigot



Airflow through filters

-  HEPA filter
-  Chemical filter
-  Contaminated air
-  Clean air



Technical data

| | EU | US |
|----------------------|---|---|
| Dimensions (HxWxD) | 625 x 385 x 525 mm | 24.60 x 15.16 x 20.67 |
| Cabinet construction | Powder coated mild steel | Powder coated mild steel |
| Airflow / pressure | 380m ³ /hr / 96mbar | 223cfm / 96mbar |
| Electrical data | 90 - 257v Single-phase 1~ 50/60Hz Full load current: 12.5 amps/ 1.1kw | 90 - 257v Single-phase 1~ 50/60Hz Full load current: 12.5 amps/ 1.1kw |
| Noise level | < 68dBA (at typical operating speed) | < 68dBA (at typical operating speed) |
| Weight | 51kgs | 113lbs |
| Approvals | UKCA and CE | cUL, UL* |

HEPA / gas filter specifications

| | |
|--------------------------|---|
| Treated activated carbon | 20kgs (44 lbs) |
| Filter media | Borosilicate |
| Filter housing | Zintec mild steel |
| Surface media area | 3.5m ² approx (37.66 ft ²) |

Unit part numbers

| Model | Part no. |
|-------------------------------------|----------|
| PrintPRO Universal Powder coated | L2044A |

Options

| 24V stop / start | Filter change / system failure signal | Silencer box with spigot | Silencer box with air return grille |
|------------------|---------------------------------------|--------------------------|-------------------------------------|
| A2001 | A2002 | A1060052 | A1060187 |

Replacement filter

| | |
|----------------------------|----------|
| Combined HEPA / gas filter | A1030157 |
|----------------------------|----------|

* Tested to UL and cUL standards, but testing may be provided by alternate nationally recognised test laboratories. Certain product configurations may affect the UL certification. Please speak to your sales representative.

Datasheet correct at time of publishing.

Where applicable, the carbon used in BOFA units is capable of removing a wide range of VOC's, however it is the responsibility of the user to ensure the carbon is suitable for their application. For specific applications, please contact us for details.

Think before you print! Please consider the environment before printing this document.

