



A WORLD LEADER IN FUME EXTRACTION TECHNOLOGY

FumeCAB 1000 iQ D

ELECTRONICS, PHARMACEUTICAL & MEDICAL

Last Updated on 12.04.2021



The complete fume extraction solution for a broad range of applications, with an extra deep working area.

Partial enclosures are becoming the recommended extraction option for a variety of applications. Government bodies, including the HSE in the UK are now making direct reference through guidance documentation such as the new HSG258 to their use.

The FumeCAB 1000 iQ D integrated filtration system has been designed to ensure compliance with the latest regulations. It provides users with an extra depth of working space for taller applications.

BOFA's iQ Operating System and ultra-bright slimline energy saving LED lights come as standard, making this system an ideal choice of fume extraction for a wide variety of applications.

More information about the [Intelligent Operating System \(iQ\)](#).

Technology



Intelligent Operating System (iQ)



HEPA filter



Automatic flow control (AFC) technology



Reverse flow air (RFA) technology



Advanced carbon filter (ACF) technology



Patented technology



ProTECT service plan



SureCHECK quality standard

Key features of the FumeCAB 1000 iQ D

Certified to BS 7989:2001 - recirculatory filtration fume cabinet specification Standard

Reverse flow filter technology Standard

Energy saving ultra-bright slim line LED lighting Standard

Ensures operational compliance with HSG258 guidelines Standard

Automatic flow control system Standard

Twin coated anti UV / anti splash protective polycarbonate visor Standard

Contact BOFA at <https://bofainternational.com/en/contact/>

<https://bofainternational.com/en/portal/datasheets/fumecab-1000-iq-d/>



Combined HEPA/Gas filter incorporating ACF technology

Standard

Real time airflow reading

Standard

High contrast display

Standard

Remote diagnostics via USB

Standard

Side entry blind grommets for equipment access

Standard

UV lighting

Optional

Filters with long life and low replacement cost

Standard

Independent filter condition monitoring, display and warnings

Standard

'Run safe' operation

Standard

Large and extra deep working area

Standard

VOC gas sensor (Volatile Organic Compound)

Optional

Optional filter medias

Optional

Technical Specification

1. iQ display

2. On / off switch

3. Filter compartment latches

4. Cable entry grommet

5. Transparent visor

6. Visor hinges

7. Power cable inlet

8. Internal LED lighting

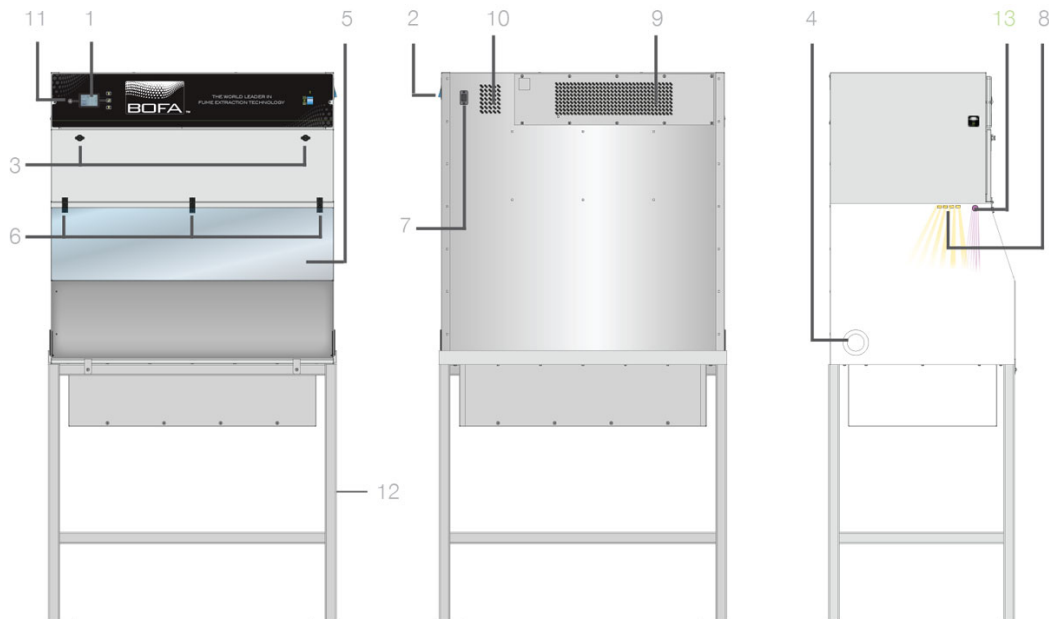
9. Exhaust outlet

10. Cooling air inlet

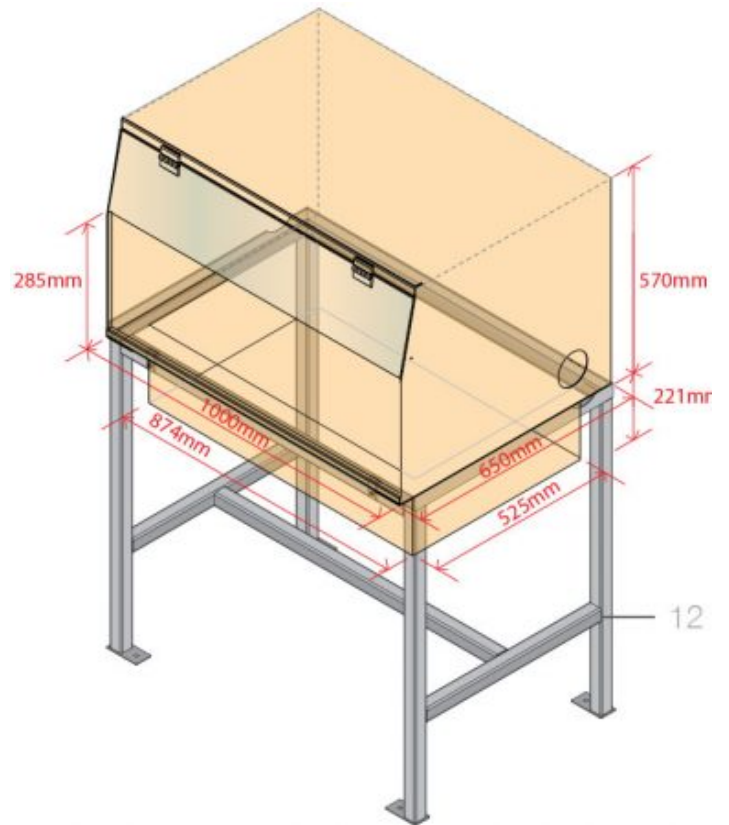
11. Standby button

12. Optional stand

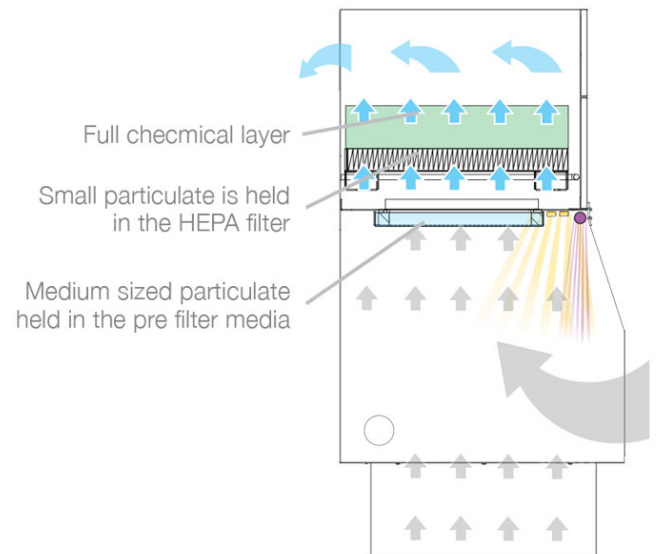
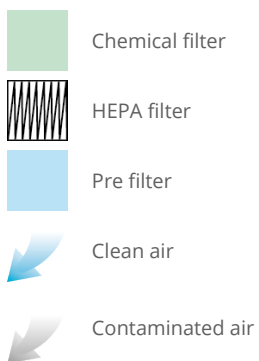
13. Optional internal UV lighting



Internal work area and stand



Airflow through filters



Technical data

	EU	US
Dimensions (HxWxD)	1249 (inc stand = 1934) x 1000 x 660mm	49.2 (inc stand = 78.1) x 39.4 x 26"
Opening dimensions (HxW)	285 x 995mm	11.2 x 39.3"
Cabinet construction	Powder coated mild steel	Powder coated mild steel
Face velocity	0.4m/s (410m ³ /h)	78.7ft/min
Max face velocity	0.6m/s (616 m ³ /h)	118ft/min
Electrical data	230V 50/60Hz	115V 50/60Hz
	Full load current: 6 amps	Full load current: 10 amps

Technical data

Noise level	< 60dBA at typical operating speed	< 60dBA at typical operating speed
Weight	214kg (inc stand = 239kg)	472lbs (inc stand = 527lbs)
Exhaust outlet (Optional)	150mm	150mm
Approvals	UKCA and CE	UKCA and CE

Pre-filter specifications

Filter media construction	Borosilicate pleat
Filter housing	Cardboard
Filter efficiency	99% @ 0.3 microns

Combined HEPA / gas filter specifications

HEPA filter media	Borosilicate
HEPA media construction	Maxi Pleat construction with glue bead spacers
Filter housing	Zintec mild steel
Treated activated carbon	17kgs (37.4 lbs)
Filter efficiency	99.997% @ 0.3 microns

Stand specifications

Dimensions (HxWxD)	943 x 1029 x 669mm / 37.1 x 40.5 x 26.3"
Stand construction	Powder coated mild steel

Unit and filter part numbers

Model	Voltage	Part no.	Optional VOC monitor	Optional UV lights
FumeCAB 1000 iQ D Powder coated	230V	E2462	A2003	A2010
FumeCAB 1000 iQ D Powder coated	115V	E2461	A2003	A2010

Replacement filter part numbers

Pre-filter	A1030249
Combined filter	A1030250

Datasheet correct at time of publishing.

Where applicable, the carbon used in BOFA units is capable of removing a wide range of VOC's, however it is the responsibility of the user to ensure the carbon is suitable for their application. For specific applications, please contact us for details.

Think before you print! Please consider the environment before printing this document.

