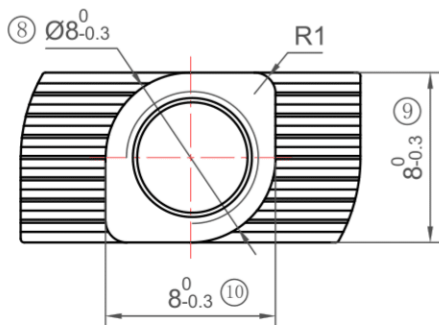
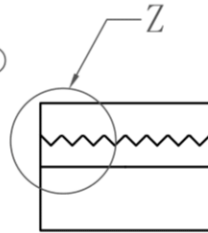
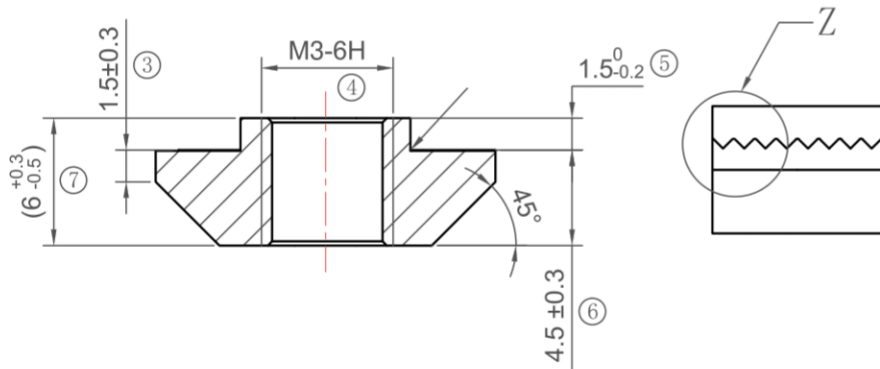
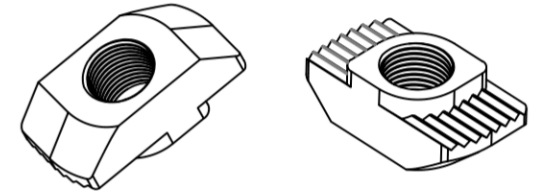
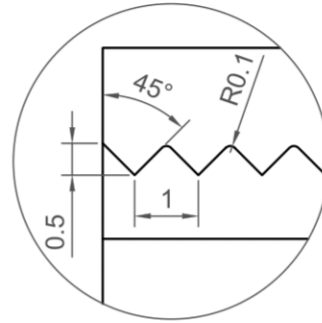
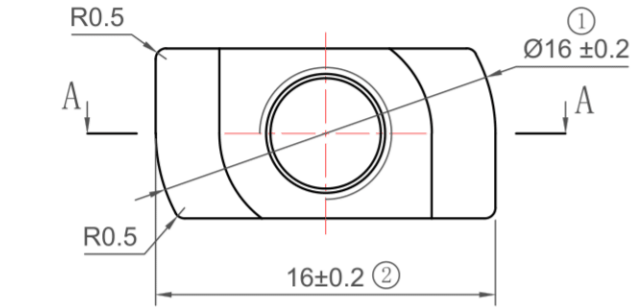


| General Tolerances/Allg.Toleranzen DIN ISO2768-mk |        |      |       |         |          |
|---|--------|------|-------|---------|----------|
|   | >0.5≤3 | >3≤6 | >6≤30 | >30≤120 | >120≤400 |
|   | ±0.1   | ±0.1 | ±0.2  | ±0.3    | ±0.5     |



1. Material: Carbon Steel;
2. Surface treatment: Zinc Plated;
3. Appearance should be without lack materials, smudge and burs;
4. Unspecified length tolerance according to 2768-M intermediate tolerance