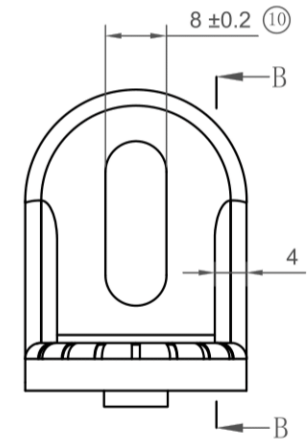
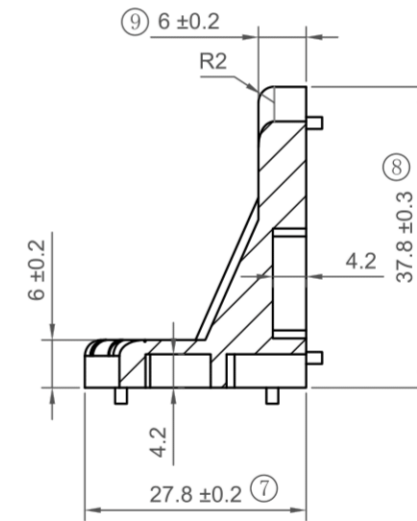
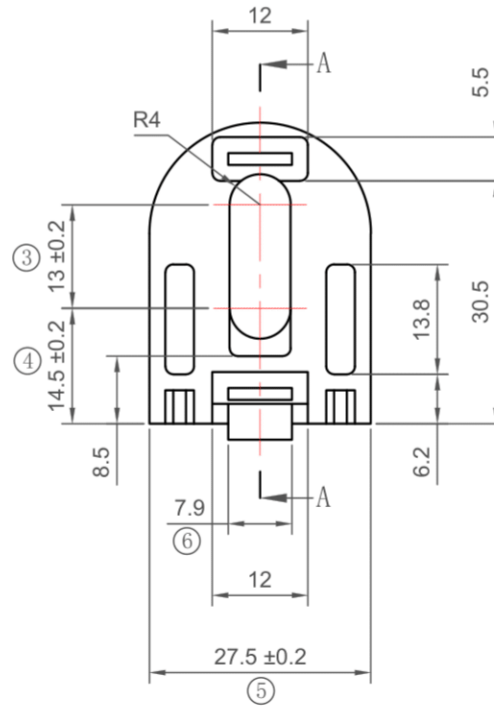
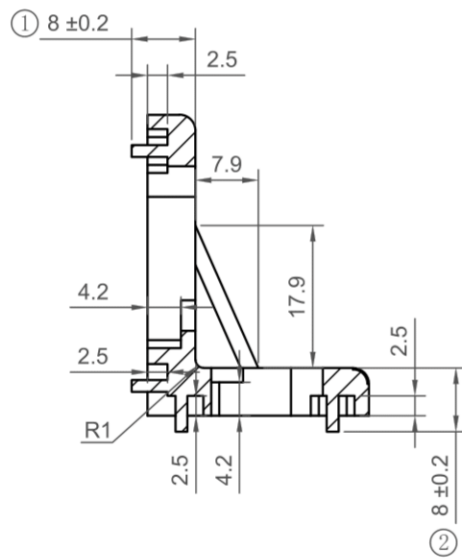
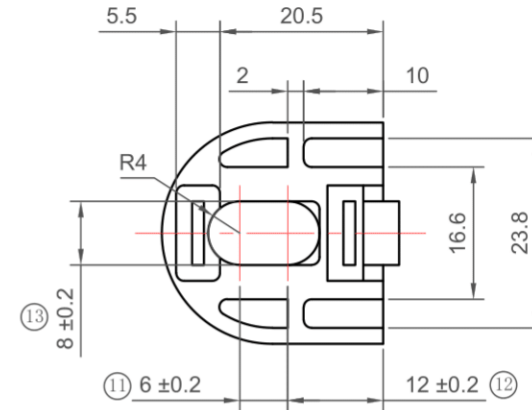
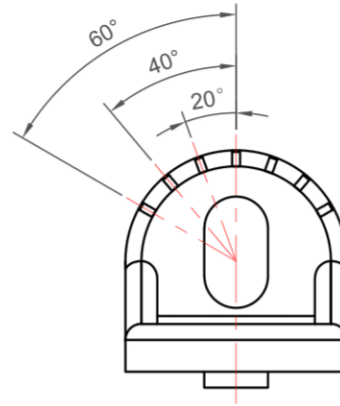


General Tolerances/Allg.Toleranzen DIN
ISO2768-mk

0.5 ≤ 3	> 3 ≤ 6	> 6 ≤ 30	> 30 ≤ 120	> 120 ≤ 400
±0.1	±0.1	±0.2	±0.3	±0.5



1. Material: Aluminium Alloy;
2. Surface treatment: True color grinding;
3. Appearance should be without lack materials, smudge and burs;
4. Unspecified length tolerance according to 2768-M intermediate tolerance