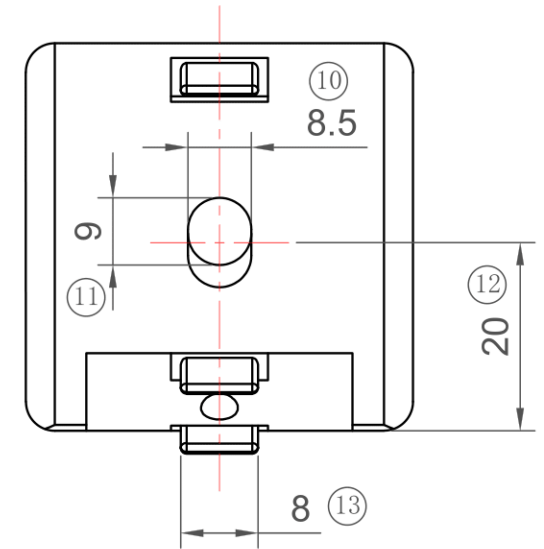
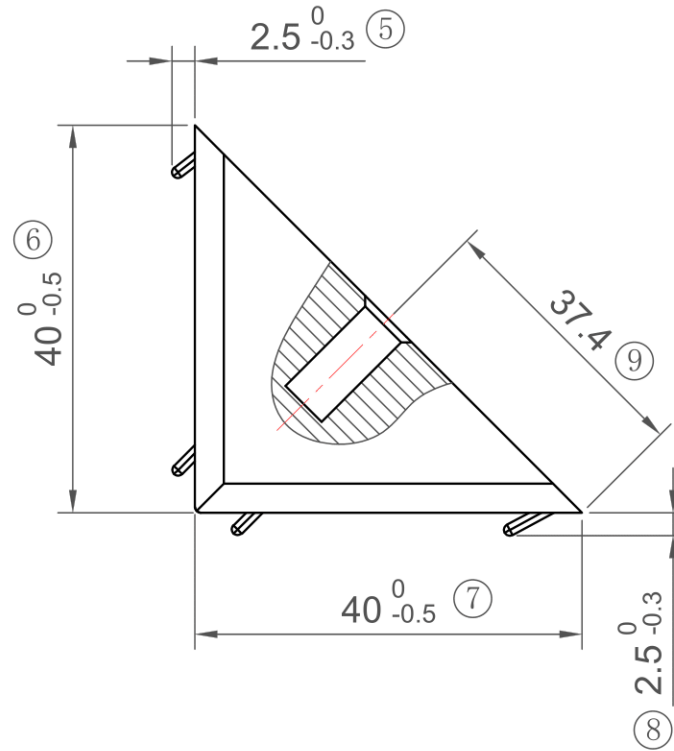
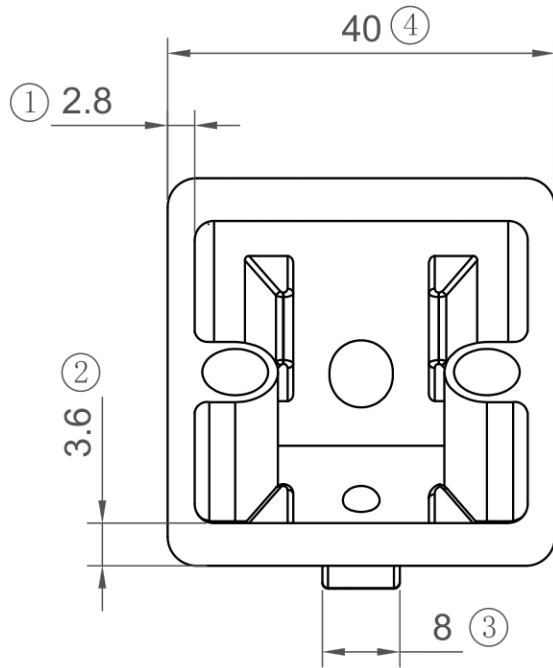


# General Tolerances/Allg.Toleranzen DIN

## ISO2768-mk

$0.5 \leq 3$	$>3 \leq 6$	$>6 \leq 30$	$>30 \leq 120$	$>120 \leq 400$
$\pm 0.1$	$\pm 0.1$	$\pm 0.2$	$\pm 0.3$	$\pm 0.5$



1. Material: Zinc Alloy;

2. Surface treatment: Silver Spray Painting;

3. Appearance should be without lack materials, smudge and burs;

4. Unspecified length tolerance according to 2768-M intermediate tolerance