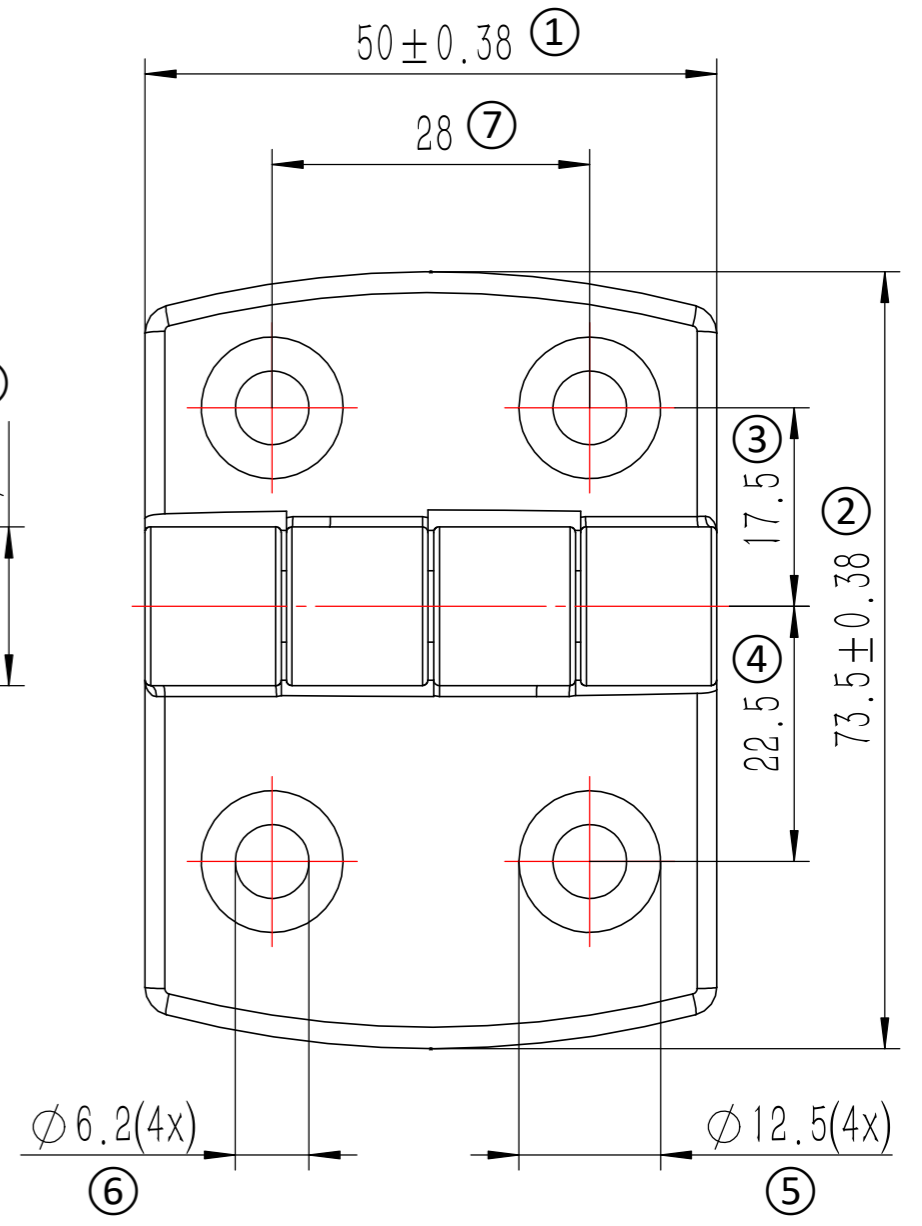
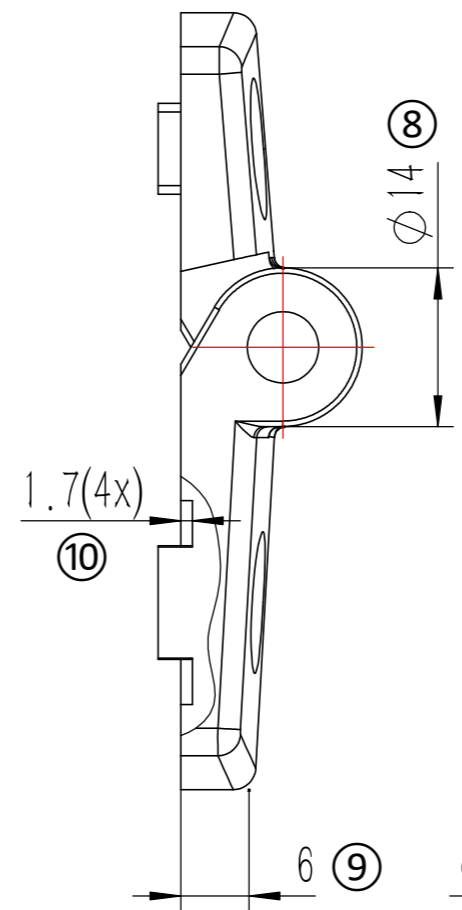
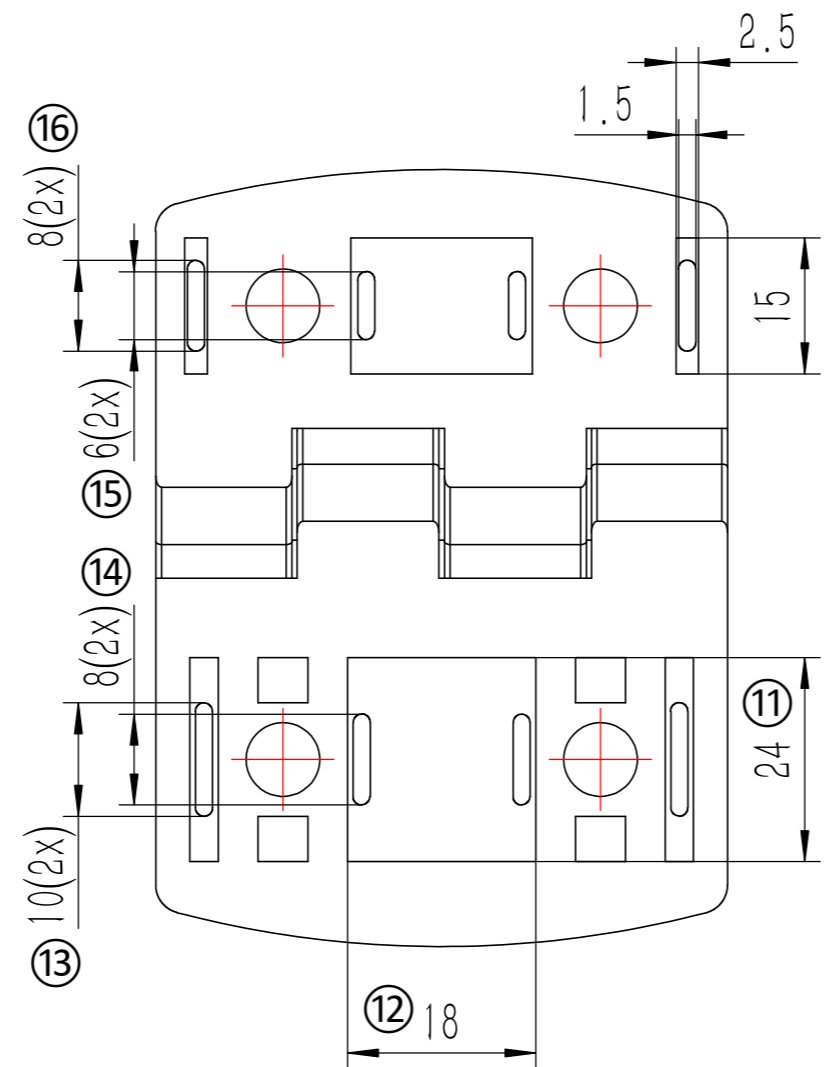
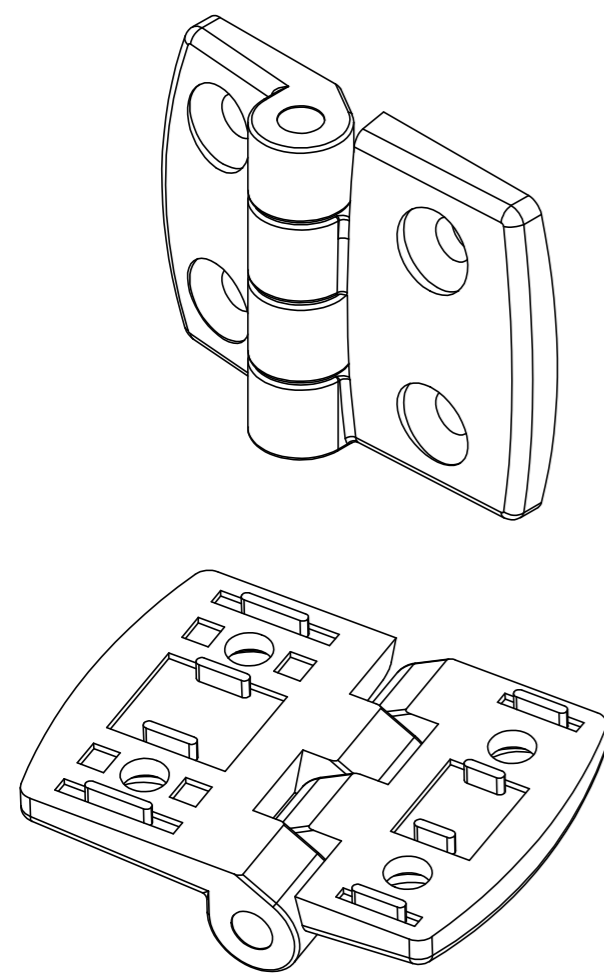


General Tolerances/Allg.Toleranzen DIN ISO2768-mk				
>0.5≤3	>3≤6	>6≤30	>30≤120	>120≤400
±0.1	±0.1	±0.2	±0.3	±0.5



- 1. Material: Nylon;
- 2. Surface treatment: Black;
- 3. Appearance should be without lack materials, smudge and burs;
- 4. Unspecified length tolerance according to 2768-M intermediate tolerance