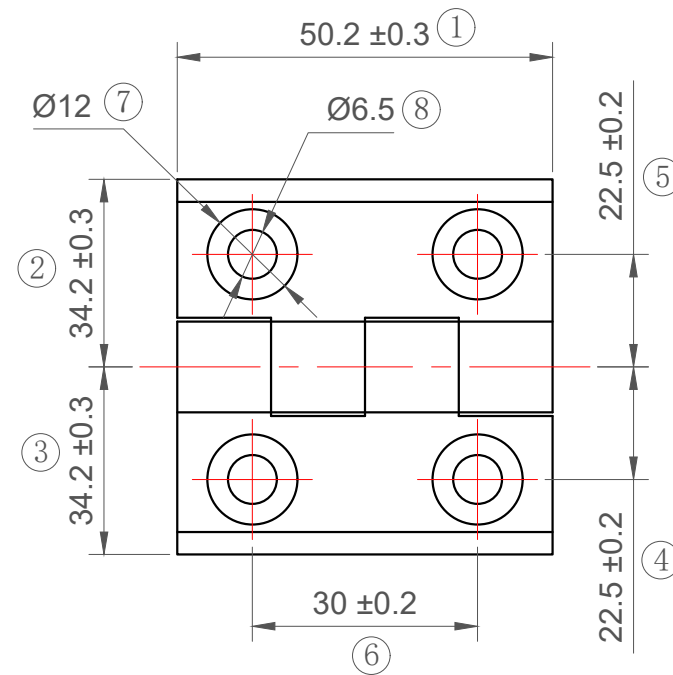
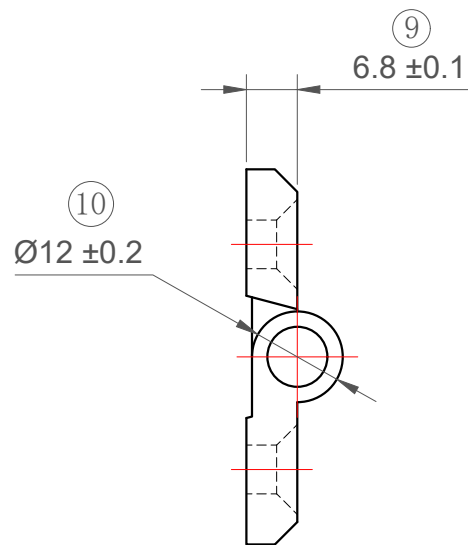


# General Tolerances/Allg.Toleranzen DIN

## ISO2768-mk

$0.5 \leq 3$ $\pm 0.1$	$>3 \leq 6$ $\pm 0.1$	$>6 \leq 30$ $\pm 0.2$	$>30 \leq 120$ $\pm 0.3$	$>120 \leq 400$ $\pm 0.5$
---------------------------	--------------------------	---------------------------	-----------------------------	------------------------------



1. Material: Zinc Alloy;
2. Surface treatment: Silver spray paint;
3. Appearance should be without l  
ack  
materials, smudge and burs;
4. Unspecified length tolerance a  
ccording to 2768-M intermediate  
tolerance