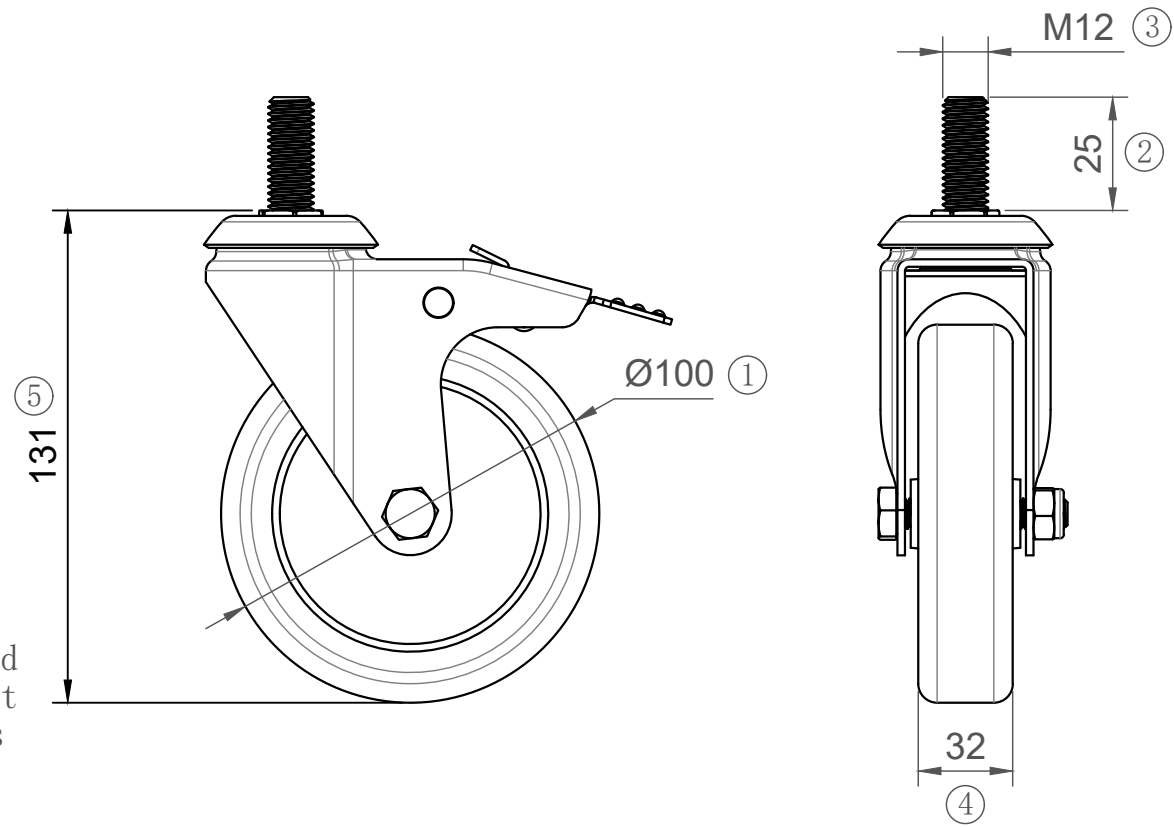


General Tolerances/Allg.Toleranzen DIN ISO2768-mk

	>0.5≤3	>3≤6	>6≤30	>30≤120	>120≤400
	±0.1	±0.1	±0.2	±0.3	±0.5



- 1. Material: Carbon Steel;
- 2. Surface treatment: Zinc Plated
- ; 3. Appearance should be without lackmaterials, smudge and burs
- ;
- 4. Unspecified length tolerance according to 2768-M intermediate tolerance