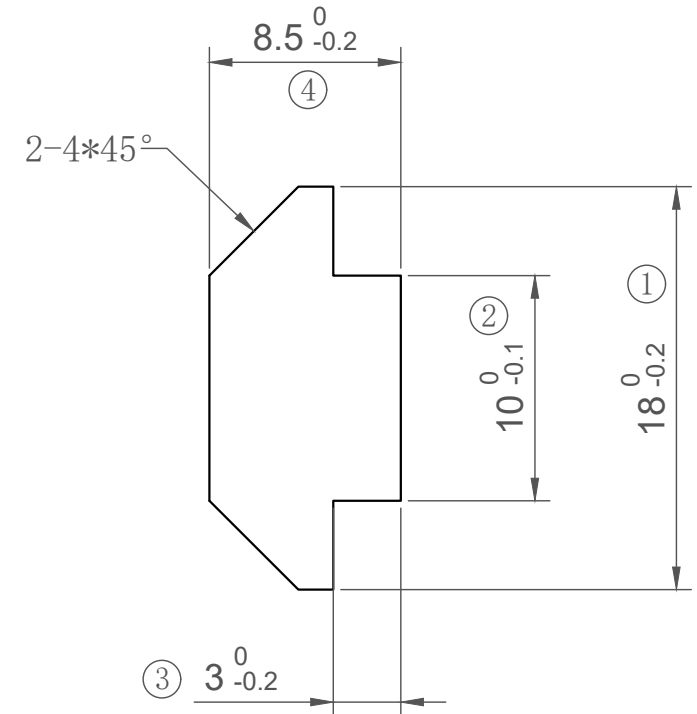
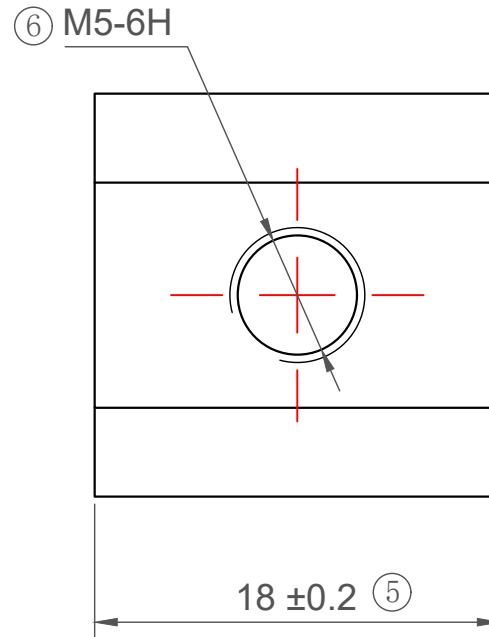
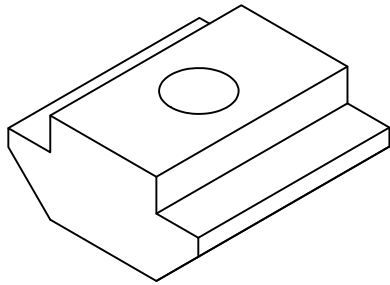


General Tolerances/Allg.Toleranzen DIN

ISO2768-mk

| | | | | |
|---------------------------|--------------------------|---------------------------|-----------------------------|------------------------------|
| $0.5 \leq 3$ ± 0.1 | $>3 \leq 6$ ± 0.1 | $>6 \leq 30$ ± 0.2 | $>30 \leq 120$ ± 0.3 | $>120 \leq 400$ ± 0.5 |
|---------------------------|--------------------------|---------------------------|-----------------------------|------------------------------|



1. Material: Carbon Steel Q235;
2. Surface treatment: Zinc Plated;
3. Appearance should be without lack materials, smudge and burs;

4. Unspecified length tolerance according to 2768-M intermediate tolerance